

ADVANCED HIGH CEILING

Atria 6 Series

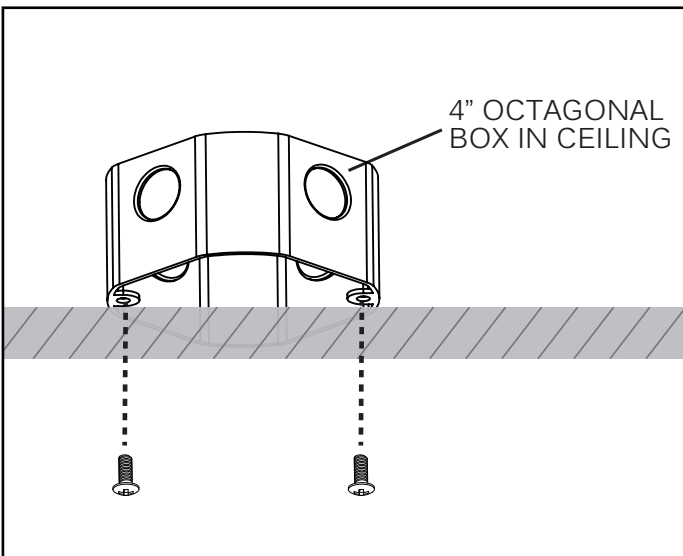
Surface Mount (DMX)



IMPORTANT SAFETY INFORMATION. READ AND FOLLOW ALL SAFETY INSTRUCTIONS

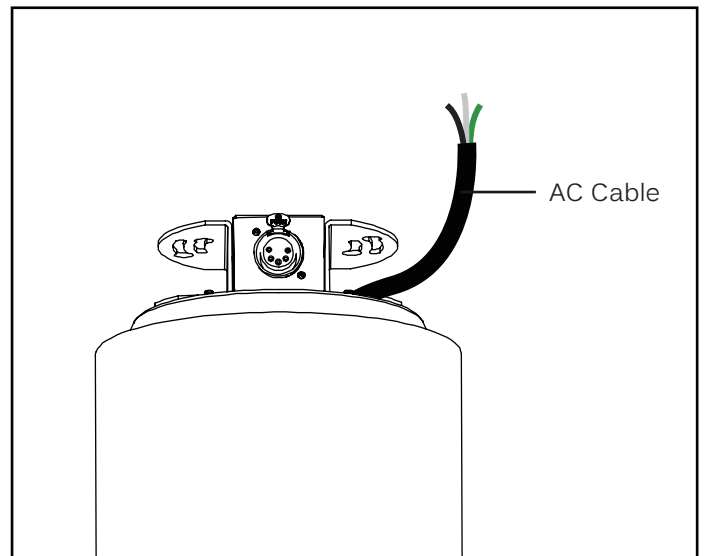
IMPORTANT SAFETY INFORMATION. READ AND FOLLOW ALL SAFETY INSTRUCTIONS. Before wiring to power supply and during servicing or relamping, turn off power at fuse or circuit breaker. All servicing or relamping must be performed by qualified service personnel. Product must be grounded to avoid potential electric shock or other potential hazard. Product must be at locations and at heights and in a manner consistent with its intended use, and in compliance with Electrical Code and local codes.

SAVE THESE INSTRUCTIONS FOR FUTURE REFERENCE.



Step 1

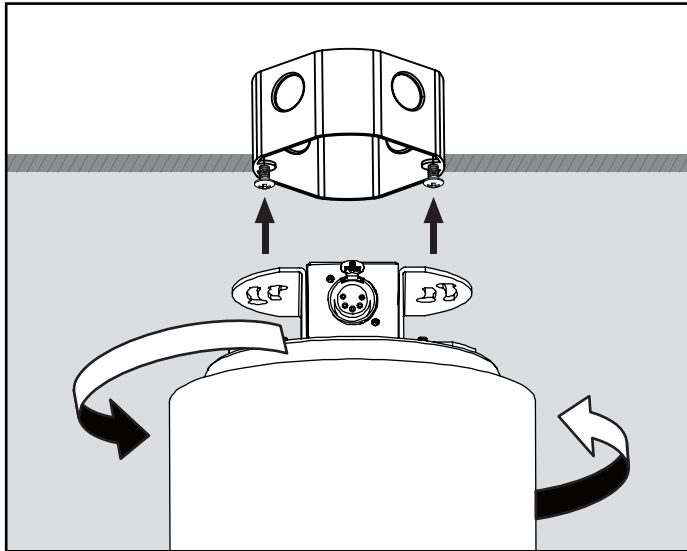
Drive the screws half way in 4" octagonal or square junction box (by others).



Step 2

Make electrical connections by using UL listed connectors or wire nuts (by others) inside junction box.

ADVANCED HIGH CEILING Atria 6 Series Surface Mount (DMX)

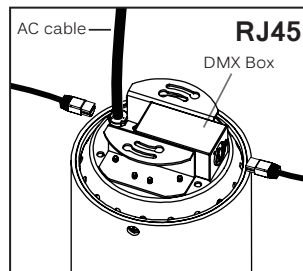
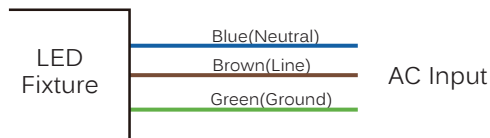


Step 3

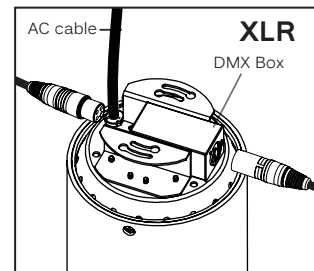
Attach cylinder fixture to junction box by aligning fixture slots with junction box screws. Twist fixture and tighten screws to secure.

Wiring Diagram

DMX



Connect DMX by using a standard shielded CAT5/6 cable.



Connect DMX by using a standard DMX512 XLR cable with 5 pin in/out connector (by others).

***The last fixture has to be terminated with a DMX Terminator (by others).**